



GIA
GEMOLOGICAL INSTITUTE OF AMERICA®

New York Laboratory Headquarters
580 Fifth Avenue | New York, NY 10036-4794
T: 212-221-5858 | F: 212-575-3095

Carlsbad
5355 Armada Drive | Carlsbad, CA 92008-4699
T: 760-603-4500 | F: 760-603-1814
www.gia.edu

COLORED DIAMOND GRADING REPORT

August 18, 2006

Shape and Cutting Style **Pear Brilliant**
Measurements 10.10 x 6.45 x 3.49 mm

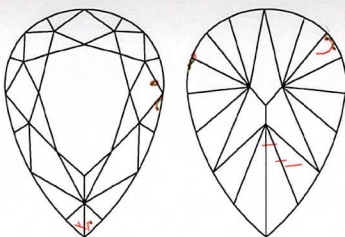
GIA REPORT 15204113

Carat Weight **1.54 carat**
Color **NATURAL**
Origin **NATURAL**
Grade **FANCY LIGHT YELLOW**
Distribution **Even**
Clarity Grade **S12**

ADDITIONAL GRADING INFORMATION

Finish
Polish **Good**
Symmetry **Good**
Fluorescence **Medium Blue**
Comments:
Clouds are not shown.
Surface graining is not shown.

REFERENCE DIAGRAMS



KEY TO SYMBOLS

- Feather
- Indented Natural
- Cavity

Red symbols denote internal characteristics (inclusions). Green or black symbols denote external characteristics (blemishes). Diagram is an approximate representation of the diamond, and symbols shown indicate type, position, and approximate size of clarity characteristics. All clarity characteristics may not be shown. Details of finish are not shown.

GIA CLARITY SCALE

FLAWLESS
INTERNALLY
FLAWLESS

VVS-

VVS+

VS₁

VS₂

S1₁

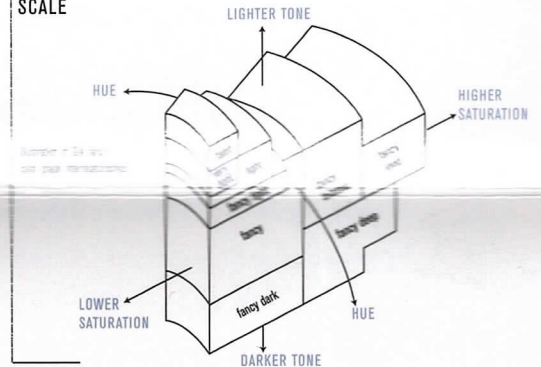
S1₂

I₁

I₂

I₃

GIA COLORED DIAMOND SCALE



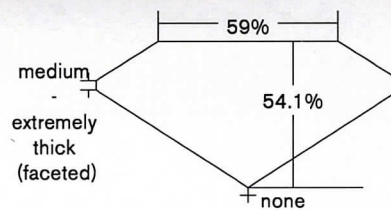
VERY SLIGHTLY INCLUDED

SLIGHTLY INCLUDED

INCLUDED



237749101



Profile not to actual proportions.

This Report is not a guarantee, valuation or appraisal and contains only the characteristics of the diamond described herein after it has been graded, tested, examined and analyzed by the GIA Laboratory and/or has been inscribed using the techniques and equipment used by the GIA Laboratory at the time of the examination and/or inscription. The recipient of this Report may wish to consult a credentialed jeweler or gemologist about the information contained herein.



The security features in this document, including the hologram, security screen and microprint lines, in addition to those not listed, exceed document security industry guidelines.

IMPORTANT LIMITATIONS ON BACK
©2006 GEMOLOGICAL INSTITUTE OF AMERICA, INC.